

【LED PANEL LIGHTS】 - NO: 9405500000LPL02
SPECIFICATION FOR APPROVAL FOR APPROVAL



Queendom Group Technology Co., Ltd.

ADD:No. 39, Wanjiang Section, Guansui Road, Wanjiang Street.Dong guanCity,GuangdongDong.China

Features:

- Ultra-thin and modern design for seamless ceiling integration
- High luminous efficacy with low power consumption
- Uniform light distribution with no dark spots or glare
- Flicker-free performance for eye comfort
- Available in various sizes: 300x300mm, 600x600mm, 300x1200mm, 600x1200mm
- Long lifespan over 50,000 hours
- CE, RoHS, and FCC certified
- Easy installation with surface mount or recessed options



Descriptions:

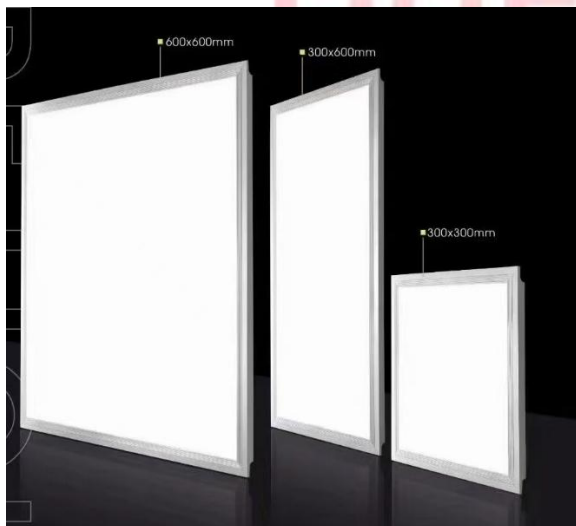
LED panel lights are designed to replace traditional fluorescent ceiling lights with an energy-efficient, ultra-slim, and elegant solution. Using advanced edge-lit or back-lit LED technology, these panels deliver uniform and soft illumination that is ideal for commercial, educational, and healthcare environments. The sleek profile and minimalist look fit perfectly into modern interiors, offering both performance and aesthetics.

Applications:

- Office buildings and meeting rooms
- Hospitals and clinics
- Schools and universities
- Shopping malls and retail stores
- Airports and railway stations
- Residential areas and kitchens
- Conference halls and showrooms



QUEENDOM

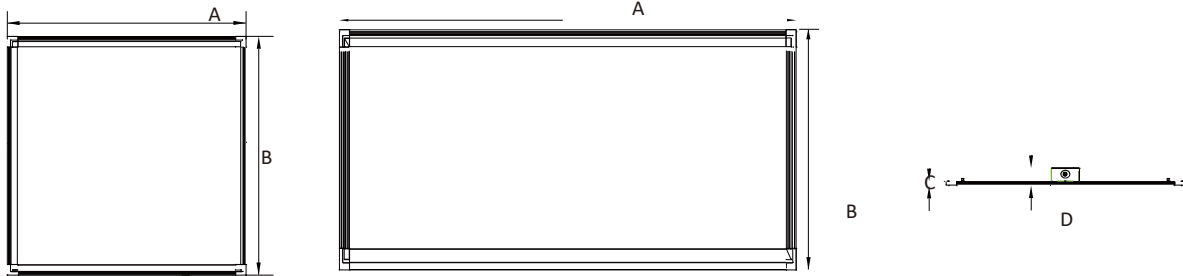


Select your Color Temperature and CRI

3000K 3500K 4000K 5000K 5700K 6500K



Product related dimensions:



Size	A (inch)(mm)	B (inch)(mm)	C (inch)(mm)	D (inch)(mm)
2x2 FT	23.74" 603mm	23.74" 603mm	1.18 " 30 mm	2.48" 63mm
1x4 FT	47.76" 1213mm	11.81" 300mm	1.18 " 30 mm	2.48" 63mm
2x4 FT	47.76" 1213mm	23.74" 603mm	1.18 " 30 mm	2.48" 63mm

Absolute Maximum Ratings

Table 1. Absolute maximum ratings for QUEENDOM LED PANEL

PARAMETER	LED PANEL LIGHTS
Continuous forward voltage [1, 2]	AC 85-230 V
Maximum pulse forward voltage [1, 3]	AC 245 V
Frequency	50/60hz
Protection level	IP20
LED storage temperature	-40°C to 80°C
Operating Temperature Range T _{OPR}	Minus -20°C To plus45°C
ESD Sensitivity T _{OPR}	2000V HBM

Product Selection Guide

Model & Approved Driver

PRODUCT	RANK NO.	NOMINAL	SIZE	PART NUMBER
		(CCT/K)	(mm)	
PSE3030S118WA2	LPLW01	2700	300×300×30	9405500000LPL0201
PSE3030S118VA2	LPLW02	3000	300×300×30	9405500000LPL0202
PSE3030S118TA2	LPLW03	4000	300×300×30	9405500000LPL0203
PSE3030S118RA2	LPLW04	5000	300×300×30	9405500000LPL0204
PSE3030S118QA2	LPLW05	5700	300×300×30	9405500000LPL0205
PSE3030S118PA2	LPLW06	6500	300×300×30	9405500000LPL0206
PSE0312S138WA2	LPLW07	2700	300×1200×30	9405500000LPL0207
PSE0312S138VA2	LPLW08	3000	300×1200×30	9405500000LPL0208
PSE0312S138TA2	LPLW09	4000	300×1200×30	9405500000LPL0209
PSE0312S138RA2	LPLW10	5000	300×1200×30	9405500000LPL0210
PSE0312S138QA2	LPLW11	5700	300×1200×30	9405500000LPL0211
PSE0312S138PA2	LPLW12	6500	300×1200×30	9405500000LPL0212
PSE3060S124WA2	LPLW13	2700	300×600×30	9405500000LPL0213
PSE3060S124VA2	LPLW14	3000	300×600×30	9405500000LPL0214
PSE3060S124TA2	LPLW15	4000	300×600×30	9405500000LPL0215
PSE3060S124RA2	LPLW16	5000	300×600×30	9405500000LPL0216
PSE3060S124QA2	LPLW17	5700	300×600×30	9405500000LPL0217
PSE3060S124PA2	LPLW18	6500	300×600×30	9405500000LPL0218
PSE6060S138WA2	LPLW19	2700	600×600×30	9405500000LPL0219
PSE6060S138VA2	LPLW20	3000	600×600×30	9405500000LPL0220
PSE6060S138TA2	LPLW21	4000	600×600×30	9405500000LPL0221
PSE6060S138RA2	LPLW22	5000	600×600×30	9405500000LPL0222
PSE6060S138QA2	LPLW23	5700	600×600×30	9405500000LPL0223
PSE6060S138PA2	LPLW24	6500	600×600×30	9405500000LPL0224
PSE0612S172WA2	LPLW25	2700	600×1200×30	9405500000LPL0225
PSE0612S172VA2	LPLW26	3000	600×1200×30	9405500000LPL0226
PSE0612S172TA2	LPLW27	4000	600×1200×30	9405500000LPL0227
PSE0612S172RA2	LPLW28	5000	600×1200×30	9405500000LPL0228
PSE0612S172QA2	LPLW29	5700	600×1200×30	9405500000LPL0229
PSE0612S173PA2	LPLW30	6500	600×1200×30	9405500000LPL0230

Photoelectric properties

Table 1. Product performance of QUEENDOM LED PANEL LIGHTS VF=220V, Tj=25°C,.

PRODUCT	RANK NO.	POWER	VOLTAGE	FLUX	EFFECT	CRI	TYPICAL	PART NUMBER
		(W)	(VF/V)	(lm)	(LM/W)	(Ra)	DEG	
PSE3030S118WA2	LPLW01	18	220	2460	130-180	80 ↑	120	9405500000LPL0201
PSE3030S118VA2	LPLW02	18	220	2460	130-180	80 ↑	120	9405500000LPL0202
PSE3030S118TA2	LPLW03	18	220	2460	130-180	80 ↑	120	9405500000LPL0203
PSE3030S118RA2	LPLW04	18	220	2460	130-180	80 ↑	120	9405500000LPL0204
PSE3030S118QA2	LPLW05	18	220	2460	130-180	80 ↑	120	9405500000LPL0205
PSE3030S118PA2	LPLW06	18	220	2460	130-180	80 ↑	120	9405500000LPL0206
PSE0312S138WA2	LPLW07	38	220	5150	120-150	80 ↑	120	9405500000LPL0207
PSE0312S138VA2	LPLW08	38	220	5150	120-150	80 ↑	120	9405500000LPL0208
PSE0312S138TA2	LPLW09	38	220	5150	120-150	80 ↑	120	9405500000LPL0209
PSE0312S138RA2	LPLW10	38	220	5150	120-150	80 ↑	120	9405500000LPL0210
PSE0312S138QA2	LPLW11	38	220	5150	120-150	80 ↑	120	9405500000LPL0211
PSE0312S138PA2	LPLW12	38	220	5150	120-150	80 ↑	120	9405500000LPL0212
PSE3060S124WA2	LPLW13	24	220	3480	130-180	80 ↑	120	9405500000LPL0213
PSE3060S124VA2	LPLW14	24	220	3480	130-180	80 ↑	120	9405500000LPL0214
PSE3060S124TA2	LPLW15	24	220	3480	130-180	80 ↑	120	9405500000LPL0215
PSE3060S124RA2	LPLW16	24	220	3480	130-180	80 ↑	120	9405500000LPL0216
PSE3060S124QA2	LPLW17	24	220	3480	130-180	80 ↑	120	9405500000LPL0217
PSE3060S124PA2	LPLW18	24	220	3480	130-180	80 ↑	120	9405500000LPL0218
PSE6060S138WA2	LPLW19	38	220	5150	120-150	80 ↑	120	9405500000LPL0219
PSE6060S138VA2	LPLW20	38	220	5150	120-150	80 ↑	120	9405500000LPL0220
PSE6060S138TA2	LPLW21	38	220	5150	120-150	80 ↑	120	9405500000LPL0221
PSE6060S138RA2	LPLW22	38	220	5150	120-150	80 ↑	120	9405500000LPL0222
PSE6060S138QA2	LPLW23	38	220	5150	120-150	80 ↑	120	9405500000LPL0223
PSE6060S138PA2	LPLW24	38	220	5150	120-150	80 ↑	120	9405500000LPL0224
PSE0612S172WA2	LPLW25	72	220	9130	110-140	80 ↑	120	9405500000LPL0225
PSE0612S172VA2	LPLW26	72	220	9130	110-140	80 ↑	120	9405500000LPL0226
PSE0612S172TA2	LPLW27	72	220	9130	110-140	80 ↑	120	9405500000LPL0227
PSE0612S172RA2	LPLW28	72	220	9130	110-140	80 ↑	120	9405500000LPL0228
PSE0612S172QA2	LPLW29	72	220	9130	110-140	80 ↑	120	9405500000LPL0229
PSE0612S173PA2	LPLW30	72	220	9130	110-140	80 ↑	120	9405500000LPL0230

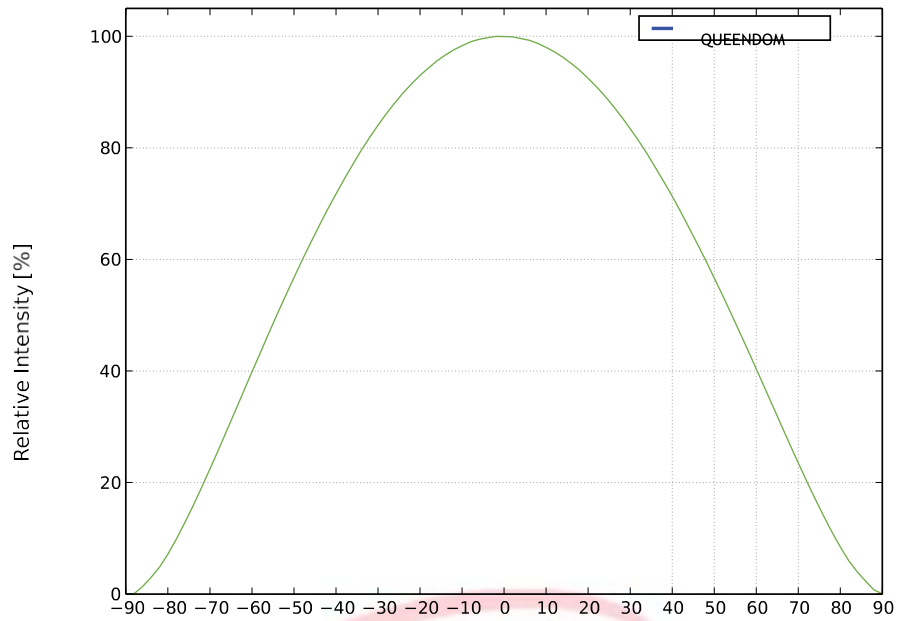
Notes for Table 1:

Correlated color temperature is cold-targeted at Tj=25°C.

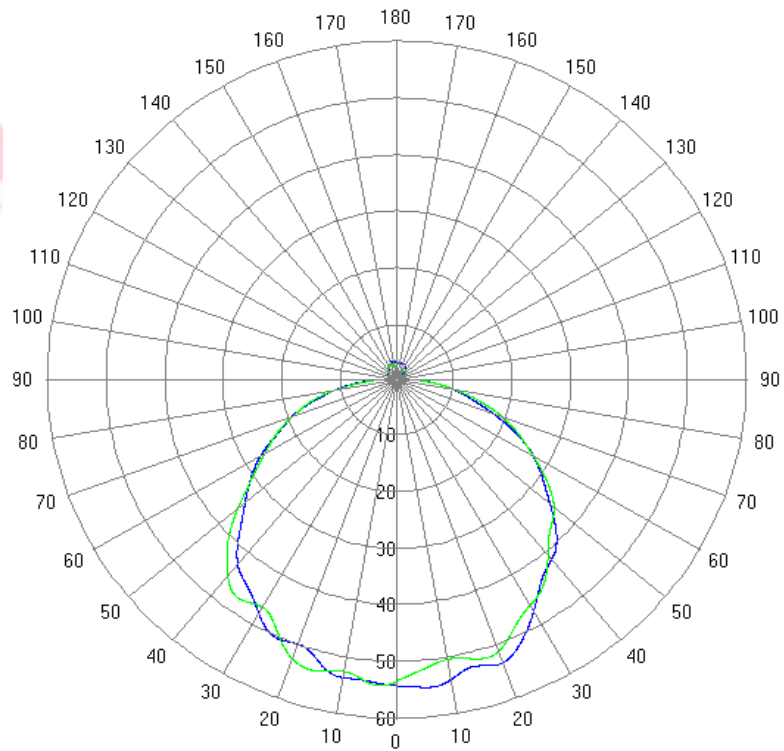
Luminous flux and CRI specs are based upon mounted package on highly reflective surface at Tj=25°C. Typical CRI is approximately 2 points higher than the minimum CRI specified, but this is not guaranteed.

QUEENDOM maintains a tolerance of ±2 on CRI and ±7.5% on flux measurements.

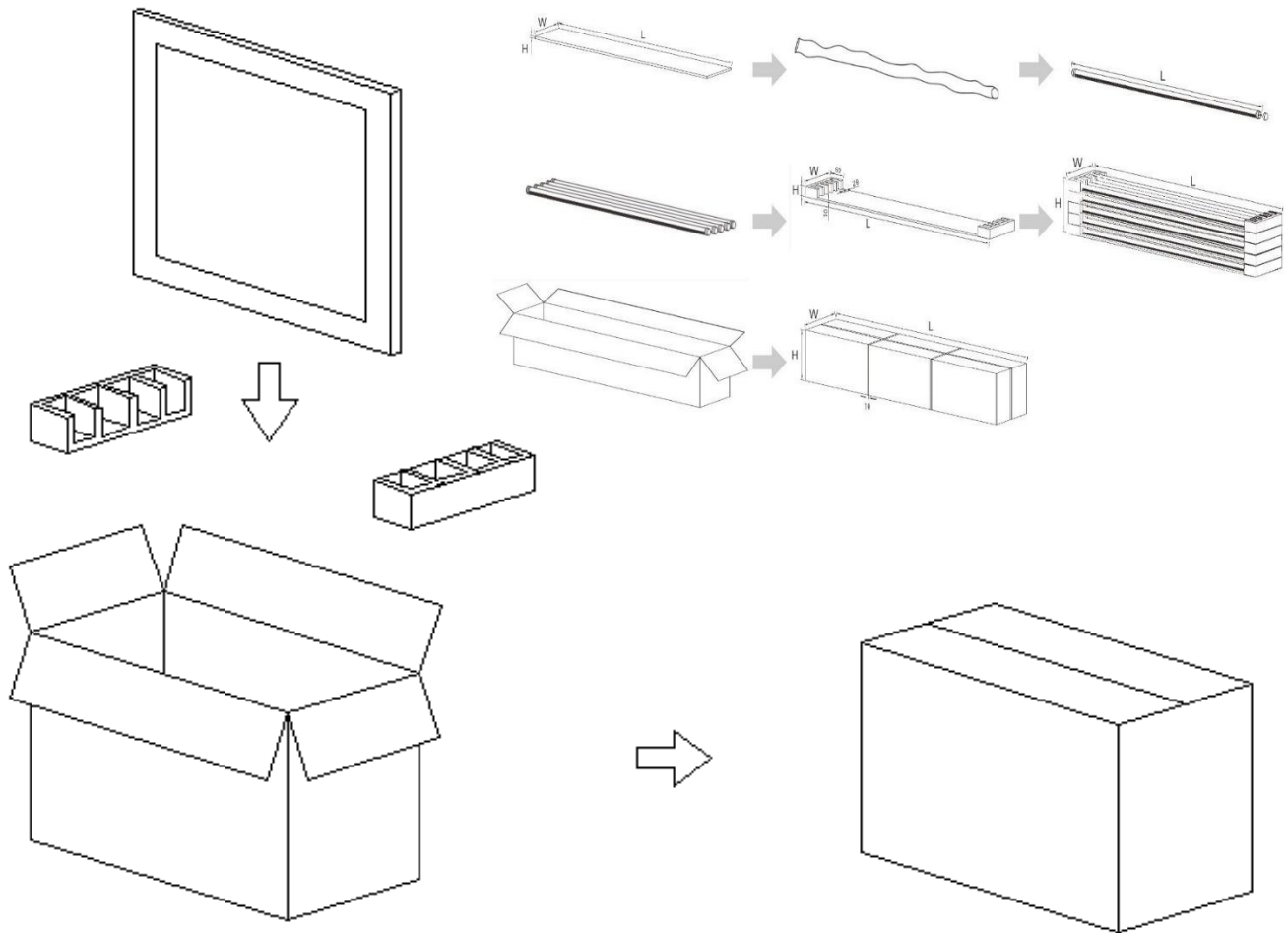
Radiation Pattern Characteristics



Polar Candela Distribution Plot
使用遠光線



Packaging



QUEENDOM

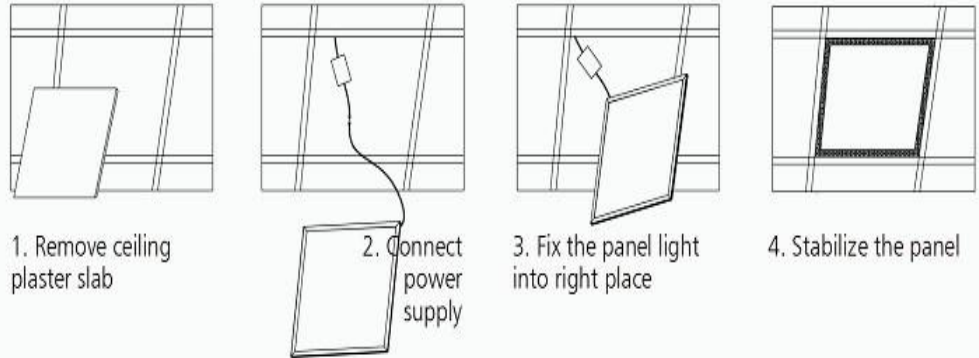
Label identification

CPN: P/N:XXXXXXXXXX	VF:XX-XX
	IV:XX-XX
QTY:XXX	WLD:XX-XX
	BIN:XX-XX
LOT NO:XXXXXXXXXX	DATE:XX-XX-XX
	

CPN:Customer's Product Number
P/N:Product Number
QTY:Packing Quantity
LOT NO:Lot Number
VF:Forward Voltage Rank
IV:Luminous Intensity Rank
WLD:Dom. Wavelength Rank
BIN:BIN Code
DATE:Date Of Dispatch

Installation Notes:

1. Recessed into ceiling



1. Remove ceiling plaster slab

2. Connect power supply

3. Fix the panel light into right place

4. Stabilize the panel

2. Suspending

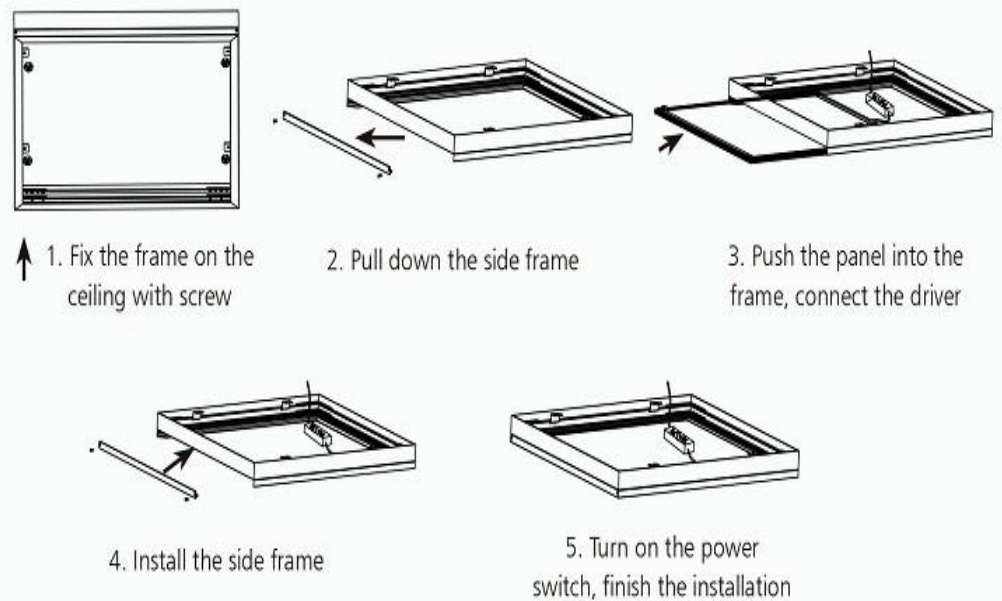


1. A. Fix the anchor into target place on the ceiling
B. Fix the installation mount on the ceiling with plastic anchor

2. Hang the panel to ceiling with suspended installation kits

3. Adjust the length of steel wire. Connect the power supply

3. Surface mounted



1. Fix the frame on the ceiling with screw

2. Pull down the side frame

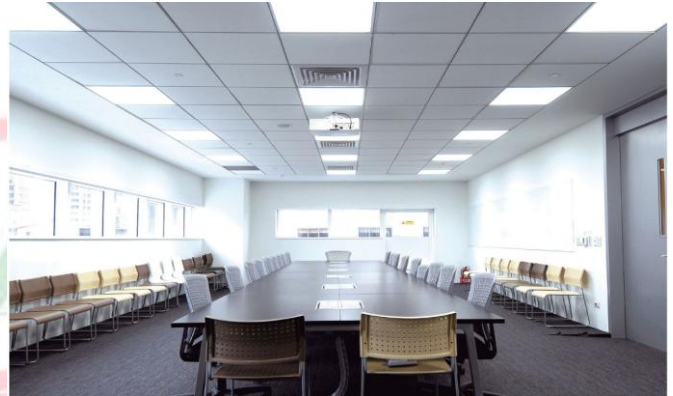
3. Push the panel into the frame, connect the driver

4. Install the side frame

5. Turn on the power switch, finish the installation

Application:

Panel lights are suitable for offices, kitchens and other places. The integrated panel lights can be directly installed on the ceiling, easy to install, simple and easy to use in design, giving a clear and lively feeling to the space.



Quality Assurance:

1. Quality assurance is based on the correct storage, transportation, installation, use and maintenance of the product.
2. Product failure caused by man-made damage or failure to use in accordance with regulations is not covered by the warranty.
3. During the warranty period, the company will choose the appropriate warranty service according to the actual situation, including repair and replacement of parts or replacement of new products.
4. Shelf life is 5 years.

Safety Tips:

Non-professionals are not allowed to perform related operations.

1. Please check the integrity of the packaging and products before installation and use. If the product is damaged during transportation, it is prohibited to use it.
2. Avoid objects hitting or weighing the product.
3. Handle with care during transportation and installation.
4. The product must not be powered on before installation is completed. Please turn off the power before cleaning.
5. Avoid cleaning the surface of the lamp with chemicals and corrosive items.
6. Do not touch the lamp when it is lit.
7. It is normal for the lamp to heat up when it is lit.